

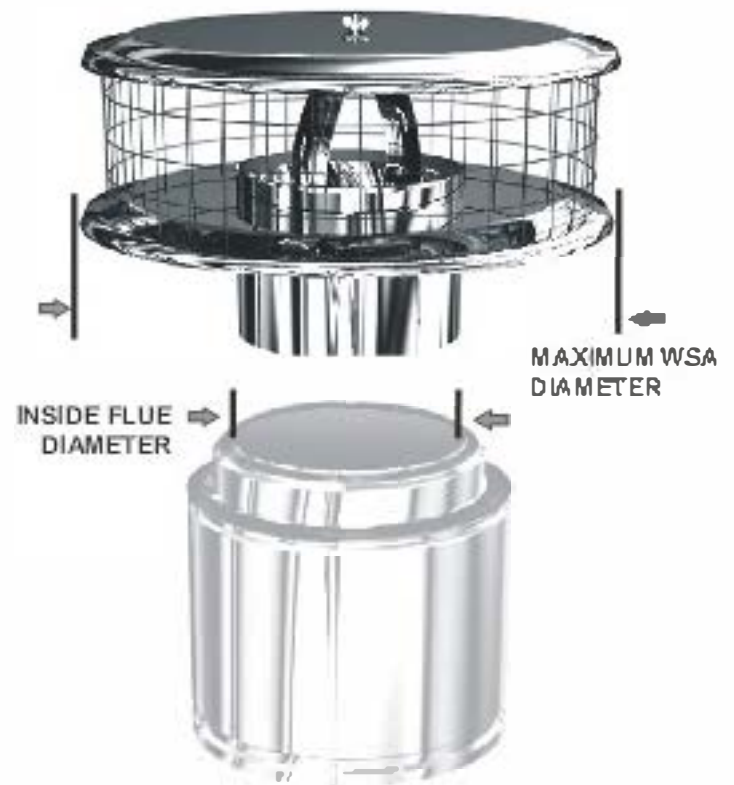
WEATHERSHIELD® SPECIFICATIONS

WeatherShield® Model WSA

Application: For round chimneys other than air cooled including single wall, solid pack, class A, and B vent. Also for masonry chimneys using the ICP masonry adapter. This is the ideal cap for excluding rain, snow, animals, leaves, and other debris from the chimney. 100% stainless steel construction assures long life and rust-free performance. Uses "spring fit" for easy installation and fast removal for chimney cleaning.

Standard Materials: 100% austenitic stainless steel.

Alternate material: Copper (Model WSC) and Type 316 stainless steel (Model WSM) for marine environments.



MODEL # (1" SCREEN OPENING*)	MODEL # (1/2" SCREEN OPENING*)	INSIDE FLUE DIAMETER (INCHES)	MAXIMUM DIAMETER (INCHES)	SHIPPING WEIGHT (POUNDS)
WSA-3	WSA-3-S5	3	8	2
WSA-4	WSA-4-S5	4	8	2
WSA-5	WSA-5-S5	5	13	3
WSA-6	WSA-6-S5	6	13	3
WSA-7	WSA-7-S5	7	13	3
WSA-8	WSA-8-S5	8	13	3
WSA-9	WSA-9-S5	9	16	4
WSA-9.5	WSA-9.5-S5	9.5	16	4
WSA-10	WSA-10-S5	10	16	4
WSA-11	WSA-11-S5	11	19	7
WSA-11.5	WSA-11.5-S5	11.5	19	7
WSA-12	WSA-12-S5	12	19	7
WSA-13	WSA-13-S5	13	19	7
WSA-14	WSA-14-S5	14	19	7

SIZES: Custom sizes available up to 48". Call for price and specific requirements.

CHIMNEY TYPES: Single wall, solid pack insulated, Class A, B vent, and square or rectangular masonry chimneys using ICP masonry adapter.

SCREENS: Available as noted above in 1" and 1/2" mesh openings. Check local regulations for what is required in your area.

* Nominal dimension



Improved Consumer Products, Inc.

(508) 695-7000 508-695-4209 (fax) www.chimneycaps.com